

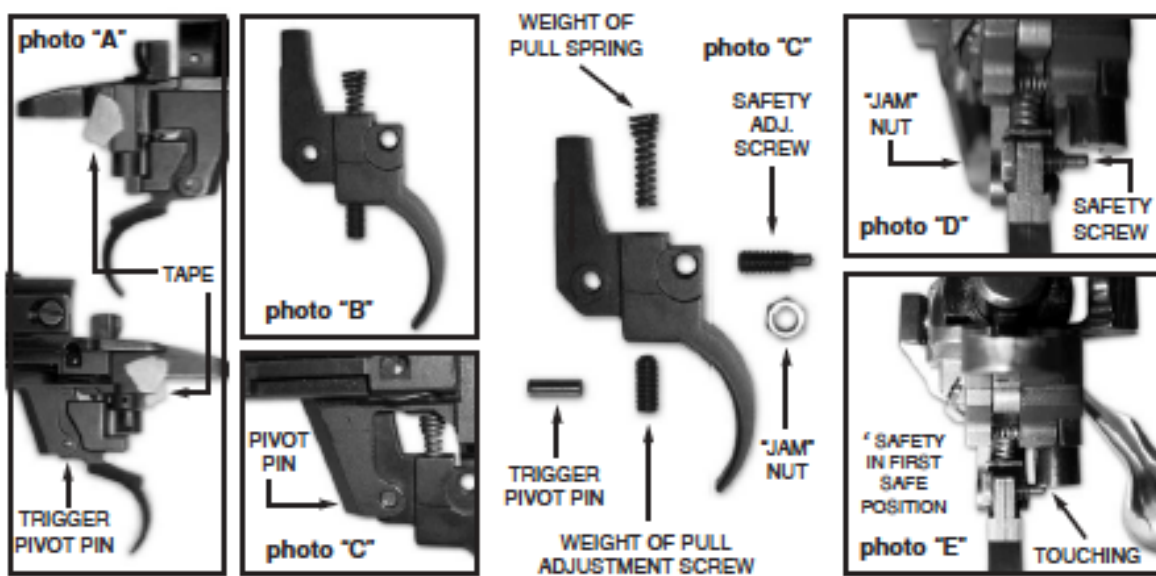


RIFLE BASIX

Replacement Trigger Systems

Phone: (704) 499-3087 • Fax: (704) 573-3768 • PO Box 49064 • Charlotte, NC 28277

INSTRUCTION SHEET FOR RIFLE BASIX RU-MK II & RU-R FOR RUGER BOLT ACTION CENTERFIRES & RIMFIRES WITH 3 POSITION SAFETY



WARNING! ANY bolt action firearm with a live round in the chamber and the safety in the "SAFE" position, is an accident waiting to happen! A safe firearm is achieved through safe HANDLING techniques. At the very least, a firearm with a live round in the chamber, should have the bolt handle in the full upright position, unloading the firing pin spring. NEVER trust a mechanical safety with a live round in the chamber! PLEASE FOLLOW INSTRUCTIONS IN PROPER NUMERICAL SEQUENCE.

- 1) Note assembly of magazine and trigger guard, remove barreled action from stock. Place two pieces of tape over both ends of sear pivot pin to retain pin in receiver (see photo "A").
- 2) Push out trigger pivot pin, and retain for re-use. Remove factory trigger and weight of pull spring.
- 3) Install new weight of pull adjustment screw and weight of pull spring in Rifle Basix trigger (see photo "B"). Install new trigger assembly in receiver using original pivot pin (see photo "C"). Turn adjustment screw clockwise to compress spring slightly.
- 4) Re-install bolt in receiver and confirm trigger function. Adjust screw for desired weight of pull. "COCK" action and move safety lever to "FIRE" (forward) position.
- 5) Confirm action is "COCKED", and safety is in "FIRE" position. Install safety screw and "JAM" nut in trigger. Turn safety screw clockwise until offset tip of screw is UNDERNEATH safety, EXACTLY as shown (see photo "D"). Safety MUST be in "FIRE" position. Offset tip screw MUST be clear of safety (see photo "D").
- 6) Confirm action is "COCKED" and move safety to first "SAFE" position. Turn safety screw counterclockwise 1/2 turn until screw contacts bottom of safety (see photo "E"). Lightly tighten "JAM" nut. Pull trigger and confirm ZERO rearward movement of trigger. Move safety to "FIRE" and confirm operation of trigger. For left hand firearms, install screw and nut from opposite side.
- 7) Remove tape from receiver, and re-install barreled action in stock.

Design of Rifle Basix trigger will provide light pull trigger operation, and will require firearm to be handled with care. ALWAYS close bolt slowly and carefully. Keep firearm pointed in a safe direction when loading and unloading, and when operating bolt and safety.

Always handle your rifle with care. Close bolt slowly and carefully while keeping your rifle pointed in a safe direction.