

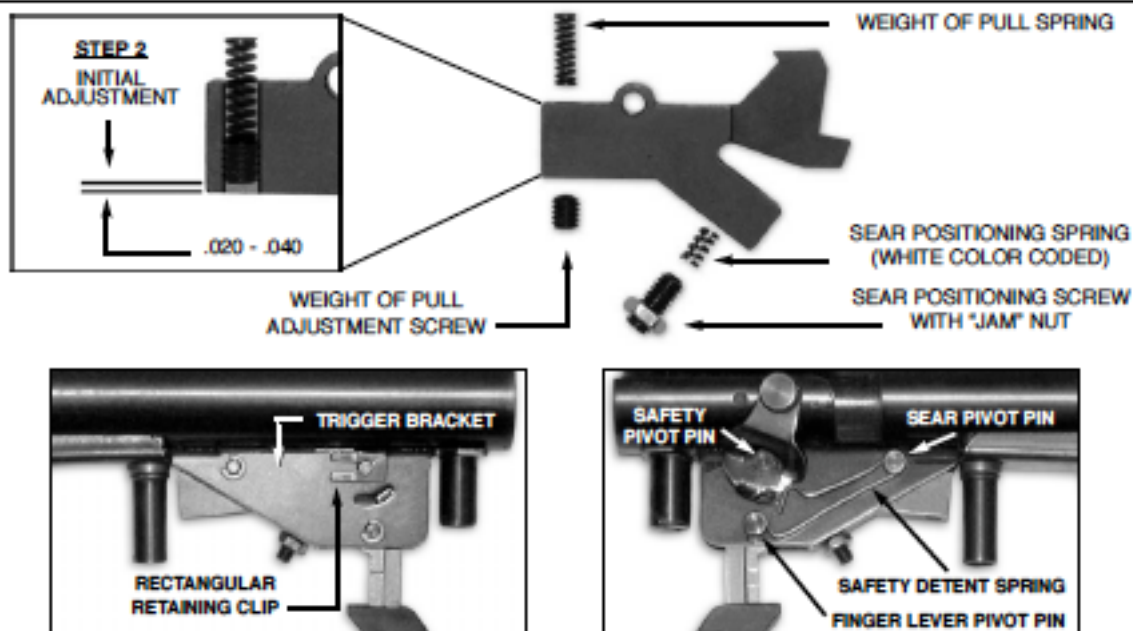


RIFLE BASIX

Replacement Trigger Systems

Phone: (704) 499-3087 • Fax: (704) 573-3768 • PO Box 49064 • Charlotte, NC 28277

REPLACEMENT SEAR FOR SAVAGE BOLT ACTION MODELS MARK I & MARK II, MODEL 93, 900, AND MODELS 501, 502 & 503 "STRIKERS".



DO NOT remove trigger bracket from receiver! **DO NOT** add "shims" to **ANY PART** of trigger assembly!

- 1) Remove bolt from action, and remove barreled action from stock. Disassemble in the following sequence: Safety lever and related parts, finger lever and related parts, sear and related parts. Keep pivot pins WITH their related parts, so they may be re-installed in their original locations. Factory sear and weight of pull spring will not be re-used.
- 2) Install new BASIX sear using original parts. Install weight of pull spring and adjustment screw. Initial adjustment should be as shown in above photo ("**Step 2** - Initial Adjustment")
- 3) Re-install finger lever with original parts. Allow safety detent spring to "HOOK" over pivot pin, install pin and "E" clip. Re-install safety lever with original parts. Depress detent spring slightly, allowing it to enter "SAFE" / "FIRE" notches in safety. Re-install rectangular retaining clip in pivot pin.
- 4) Re-install bolt in action. Confirm trigger operation and safety function **BEFORE** installing sear positioning spring.
- 5) Install white color coded sear positioning spring and adjustment screw. **PROPER ADJUSTMENT OF SCREW SHOULD ONLY COMPRESS SPRING A FEW THOUSANDTHS OF AN INCH!** Properly adjusted, trigger will be free of unwanted movement, and will break between 9 oz. and 1.5 lbs., depending on adjustment of weight of pull spring. Sear positioning screw should **ALWAYS** be adjusted for **MINIMAL** spring compression! When desired weight of pull is final, install "JAM" nut and **LIGHTLY** tighten against sear.
- 6) Re-install barreled action in stock, and confirm proper clearance and operation of trigger and safety. On wood stocks, it **MAY** be necessary to remove a small amount of wood under front of sear. "STRIKER" pistols **MUST** have clearance between plastic "SHOE" on finger lever, and stock.
- 7) Design of BASIX sear will provide light pull trigger operation and will require firearm to be handled with care. **ALWAYS** close bolt slowly and carefully. Keep firearm pointed in a safe direction when loading and unloading, and when operating bolt and safety.

Always handle your rifle with care. Close bolt slowly and carefully while keeping your rifle pointed in a safe direction.